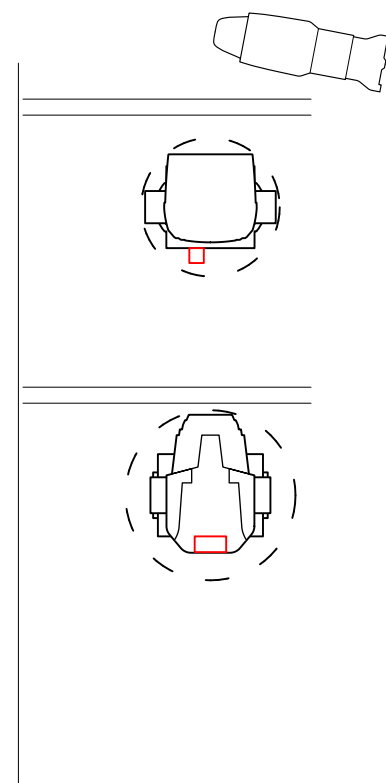
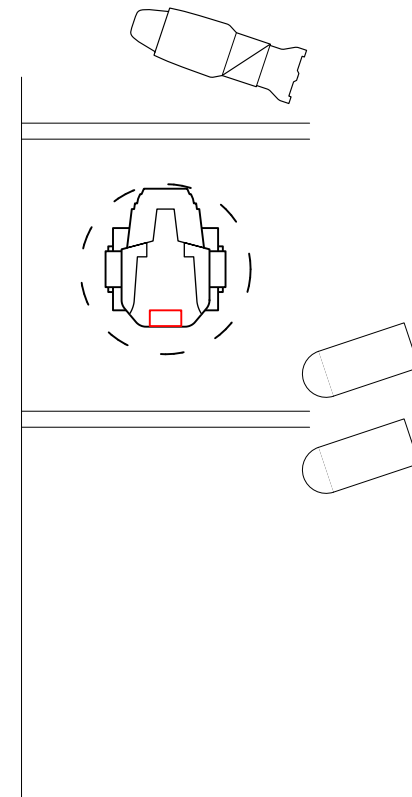


Down House Torm Detail



Up House torm Detail



Center Pipe Detail

