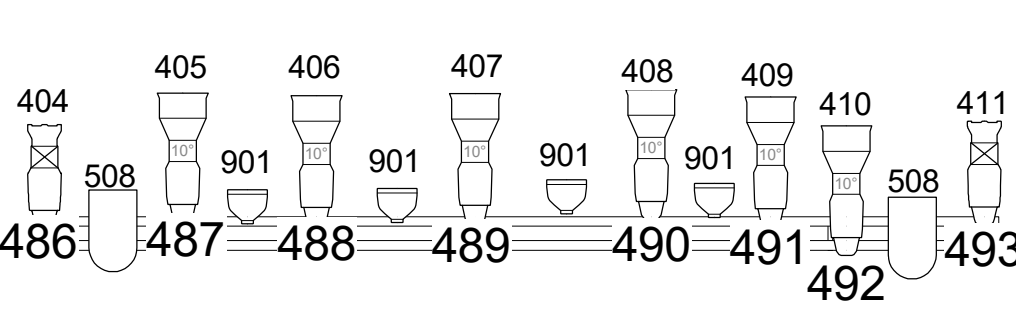
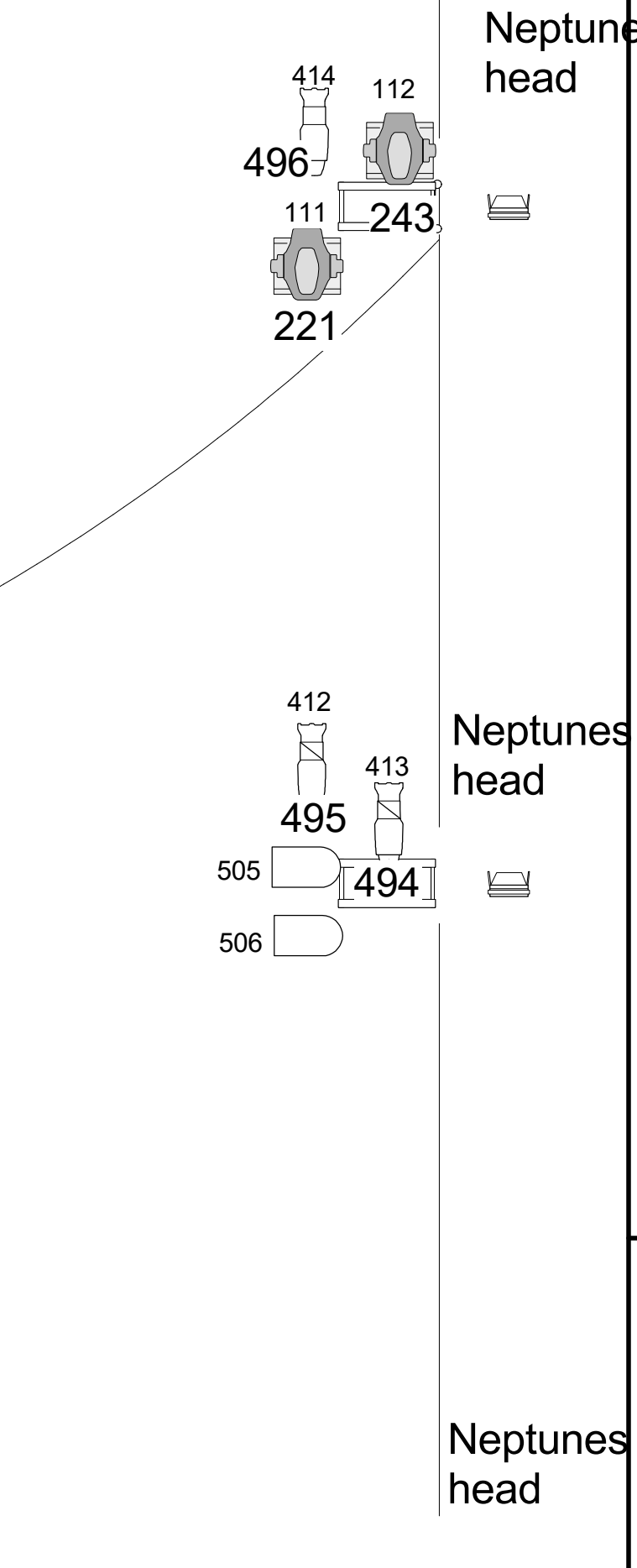
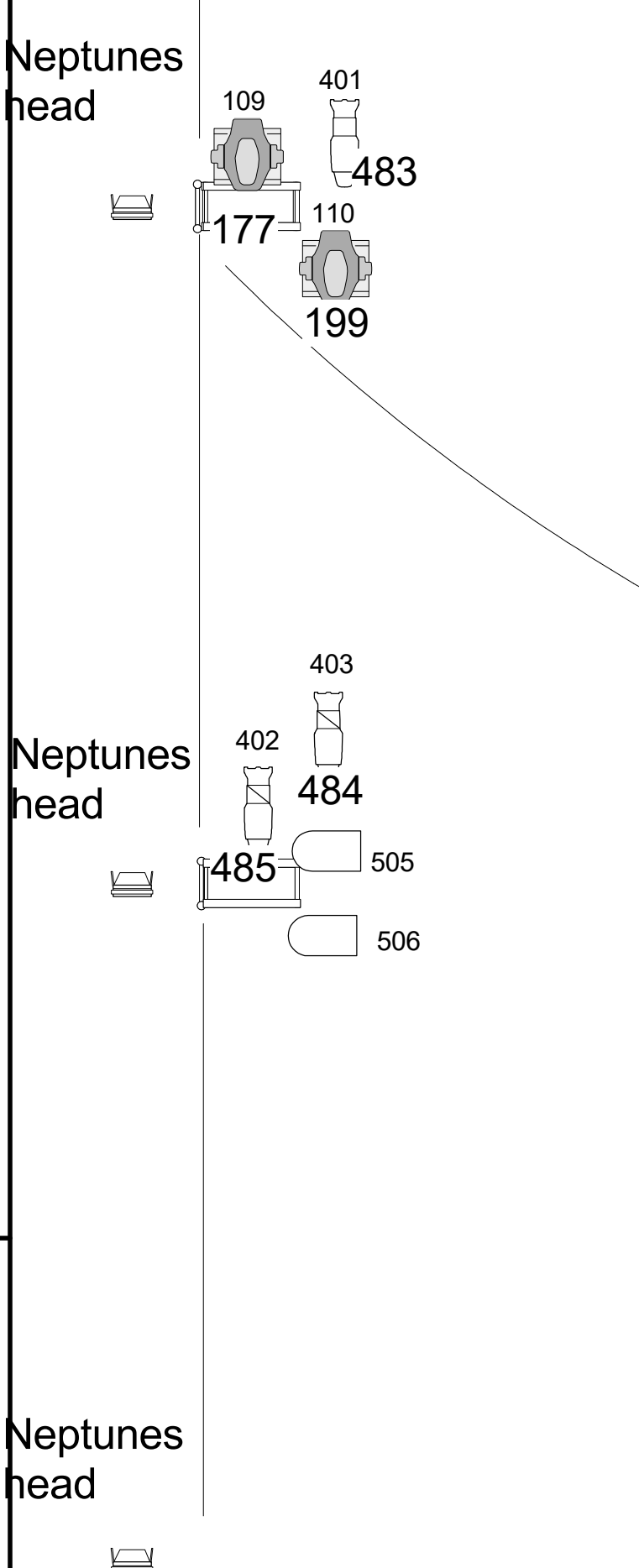
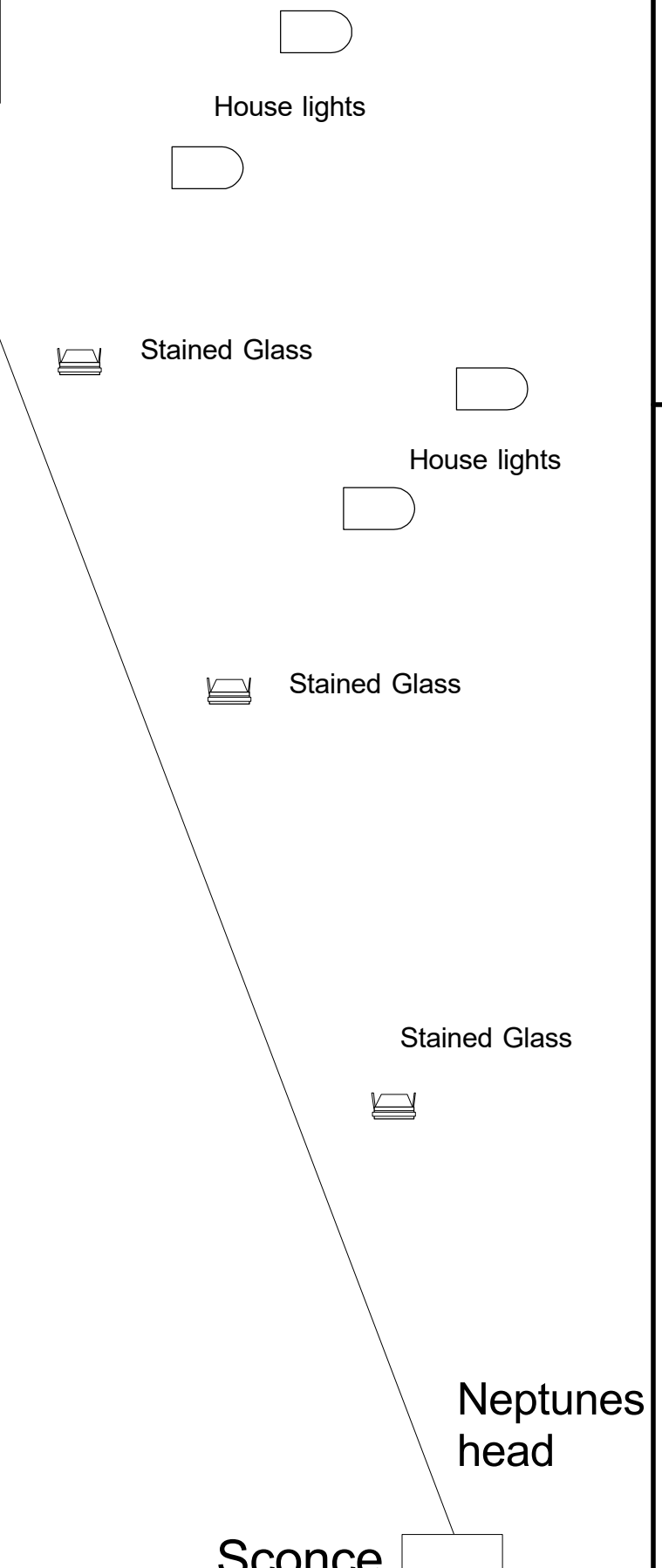
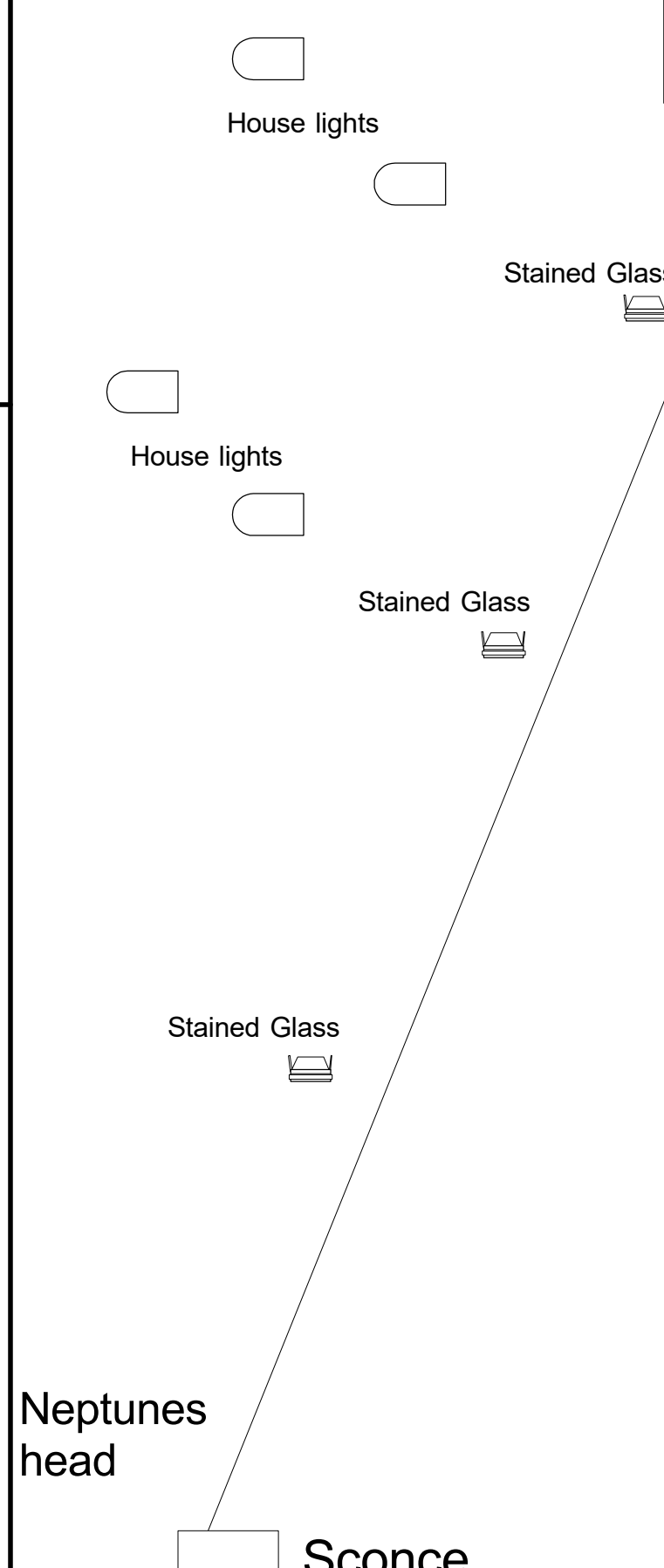


Instruments	
	Source 4 10deg
	Source 4 16deg
	Source 4 26deg
	Source 4 36deg
	Elation Fluze Z350
	Coemar iSpot 575EB
	ColorBlaze 72
	Crowd Blender
	Atomic 3K
	Blizzard HOTbox RGBA
	Elation ELAR Par RGBW-dim
	ETC Colorscape PAR RGB
Legend	
	FIXTURE #
	ADDRESS

**General Notes**  
 1. Lights have a 100A 3-phase service, the House uses 50A/Leg  
 The house console is a Martin M1  
 We also have an Avolites Pearl 2010 available  
 We have 4 x 5pin lines run to the FOH, we are using 2  
 We have 2 x open CAT6 ethernet lines from stage right to FOH  
 We have a Radiance water based Hazer located stage right  
 Trim to Moving heads is 15'3"  
 Trim to bottom cord of trussing is 17'6"  
 Trusses are static, as in dead hung, as in they do NOT move



Production Title		Neptune Theater, Seattle WA Show Room Lighting Plot Tech Rider	
Drawing Title		Neptune Theater House Plot	
Designer	JDB	Director	Mark McLean
Drawn By	MM	Scale	NTS
Venue	Neptune Theater	Drawing No.	1 of 1
Date	9-20-2018		
CAD File Name			